

MCB Brakes

Mobile Caliper Brakes

How are MCB Brakes Different?

Our hydraulic service brakes are designed for use on off highway vehicles, extending our application coverage.

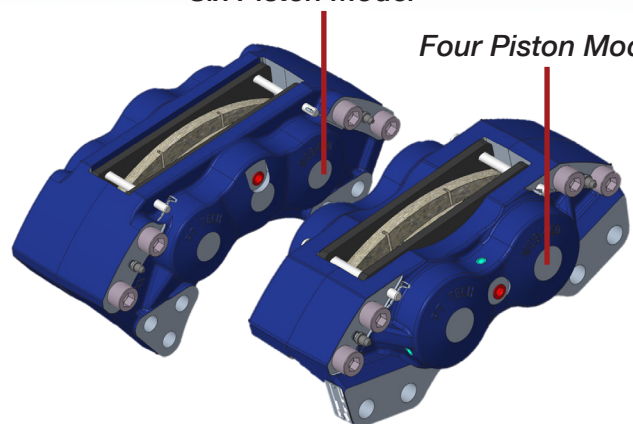
Design to brake equipment ranging in weight up to 33,000 kg with multiple caliper per wheel configuration.

- Recommend rotor size of 500 mm and 20mm thick
Compatible with DOT 4 and hydraulic oils
- Multiple mounting orientations; 9, 12 and 3 O'clock
Can be adapted for different mounting bolt configurations
- Positive Piston retraction to reduce pad drag and wear
- Superior pad life compared to competitive benchmark
- Optional seal configurations to handle extreme environments
- Designed for easy replacement of pads without removing caliper
- Multiple Semi-Metallic brake pad options

For application or technical assistance please contact PT Tech for more information.

Six Piston Model

Four Piston Model



About PT Tech

A Timken company based in Wadsworth, Ohio with a global footprint.

Specialists in providing solutions for difficult applications using a range of brake, torque limiting, gearbox and clutch technologies.

Multiple actuation systems including spring apply fail-safe, hydraulic, pneumatic and electric.

Systems for both active and passive control of products.

Over 50 patents on product technology and controls.

Markets served include;

- Mining
- Construction
- Agriculture
- Waste recycling
- Aggregate
- Marine

Major applications include:

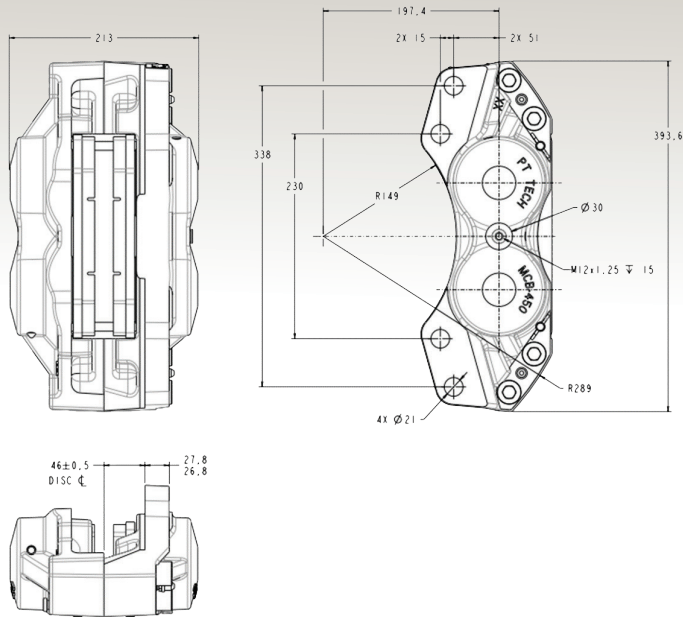
Engine mounted Hydraulic Power Take-Off clutches for recycling and aggregate machines

Torque limiting clutches and brakes for underground mining equipment

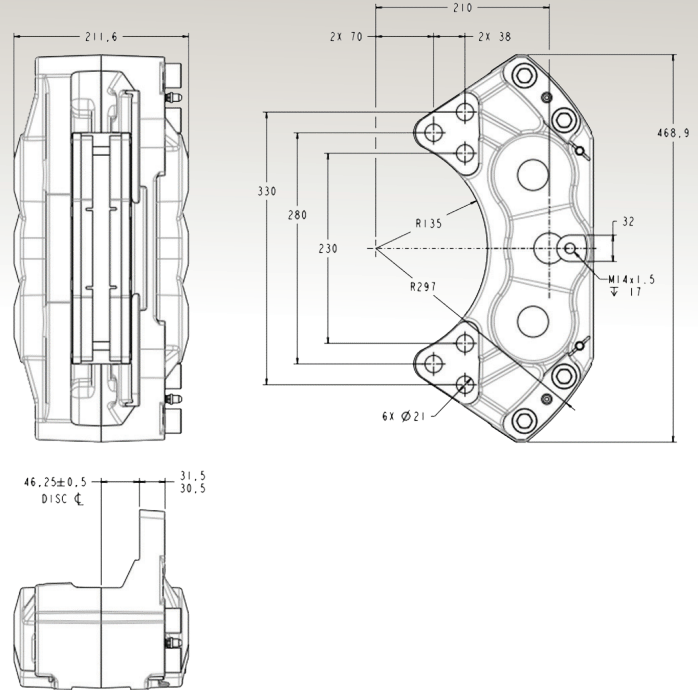
Brakes for steel mill and marine heavy lift cranes

Gearboxes for wood grinding equipment with integrated brakes and clutches

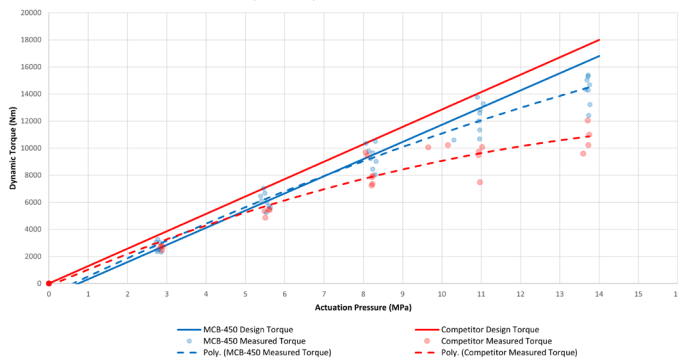
Four Piston Caliper Key Dimensions



Six Piston Caliper Key Dimensions



Dynamic Torque vs. Actuation Pressure



Braking Actuations to Wearouts (67rpm, 8-10 Mpa, 200-250 kJ)

